

ZINO SPECIFICATIONS

TYPICAL INSTALLATIONS

- Theatres and Performing Arts Centers
- Houses of Worship
- Convention Centers, Arenas and Exhibit Halls
- Automobile Showrooms
- Museums
- Academic Institutions - Auditoriums, Lecture Halls
- Libraries
- Retail Stores and Atriums
- Airport Corridors and Terminals
- Ballrooms
- Dry and Damp Locations
- Installation Heights: 10ft (3.1m) to 30ft (9.1m)

LEDs, OPTIC AND OUTPUT

- 3000K, 4000K or 5000K color temperatures.
- 80 CRI standard for 3000K
- 75 CRI standard for 4000K to 5000K
- 90 CRI available for LEDs <4000K
- 14, 18, 28, 36, 70 and 110 degree beam angles
- 7,500 lumen output at 3000K (@ 75W input)

PHYSICAL

- 6.77in (171.9mm) diameter
- 12.0in (304.8mm) length
- Unit weight: 5lbs (2.25kg) without mountings
- High performance LED engine, driver and power supplies
- No noise with efficient passive cooling (no internal fans)
- All aluminum construction
- Multiple mounting options
- Standard black and off-white housing colors available in matte, semi-gloss (for black only) or glossy finishes

OPTIONS

- Custom RAL housing colors
- Custom housing graphics
- Brushed aluminum housing
- Mounting options include: C-clamp, Wall Bracket, Yoke, Rigid Pendant, Slope Adaptor Pendant, Air Craft Cable Pendant and Flat Recessed kits
- 90 CRI available for 3000K LEDs
- Concentric and Hexagonal ring glare reducers
- Surge protector
- External transformer for 277V
- Screw Terminal standard for 0-10V and DMX. Additional options for DMX Connectors: XLR 5-PIN, RJ45, and IDC



PROJECT- _____

ORDER CODE- _____

QUANTITY- _____

ELECTRICAL

- Available Wattages: 25W, 50W, 75W
- 90-264 VAC, 50/60Hz
- L70 rating > 70,000 hours
- IP20 Rated, suitable for use in damp locations
- ETL listed to UL and cUL standards

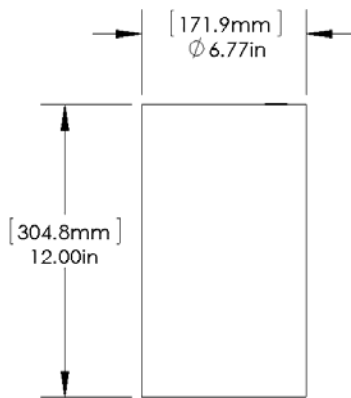
CONTROLS

- Constant
- 0-10V Analog
- DMX/RDM
- Dimmable units match incandescent dimming with smooth fading to and from 0%

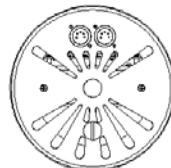
Please note that any custom orders or request may result in a longer lead time and additional costs.

Ordering Code Example: ZN-75-30-36-D-B-M-4(12")-515-X-90-HEX

TYPE - ZN									
Watts	Color Temperature	Beam Angle Degree	Control	Housing Color	Color Finish	Mounting	Power Connector	Terminals	Options ¹ (can choose multiple)
25	30 (3000K)	14 ¹	C (Constant)	B (Black)	M (Matte)	1 (C-Clamp)	B (Bare End; 5ft (1.5m) Std. ⁴)	X (XLR-5 Pin for DMX)	90-CRI (only available for LEDs <4000K)
50	40 (4000K)	18 ¹	V (0-10V)	W (Off-White)	S (Semi-Gloss)	2 (Wall Bracket)	515 (NEMA 5-15; 125V/15A)	R (RJ-45 for DMX)	S1 (Surge Protector; 120V)
75	50 (5000K)	28 ¹	D (DMX/RDM ²)	C (Custom ¹)	G (Gloss)	3 (Yoke)	L515 (NEMA L5-15; 125V/15A, Locking-type)	I (Insulation Displacement Connector for DMX)	S2 (Surge Protector; 220V)
	C (Custom ¹)	36		A (Brushed Aluminum ¹)		4 (Rigid Pendant; Length required)	AP (Alternate Plug Style ¹)	ST (Screw Terminal must choose for 0-10V ³)	S3 (Alternate Surge Protector ¹)
		70		G (Graphic ¹)		5 (Pendant Slope Adaptor; Length required)	N (None)	N (None, must choose for Constant)	CR (Concentric Ring Glare Reducer)
		110				6 (Air Craft Cable Pendant; Length Required)			HEX (Hexagonal Ring Glare Reducer)
¹ Consult factory before ordering. ² DMX/RDM controls choice can be connected with DMX or DMX/RDM controls. ³ DMX/RDM comes standard with screw terminal. ⁴ Included with yoke and wall bracket mounts.						7 (Flat Recessed)			277 (277V External Transformer)
									N (None)



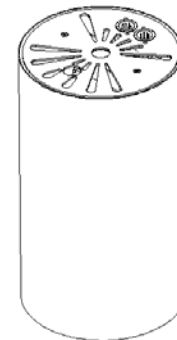
SIDE



TOP



BOTTOM



ISOMETRIC

** Figures represent primary housing unit. Refer to website or brochure for alternate mounting conditions.